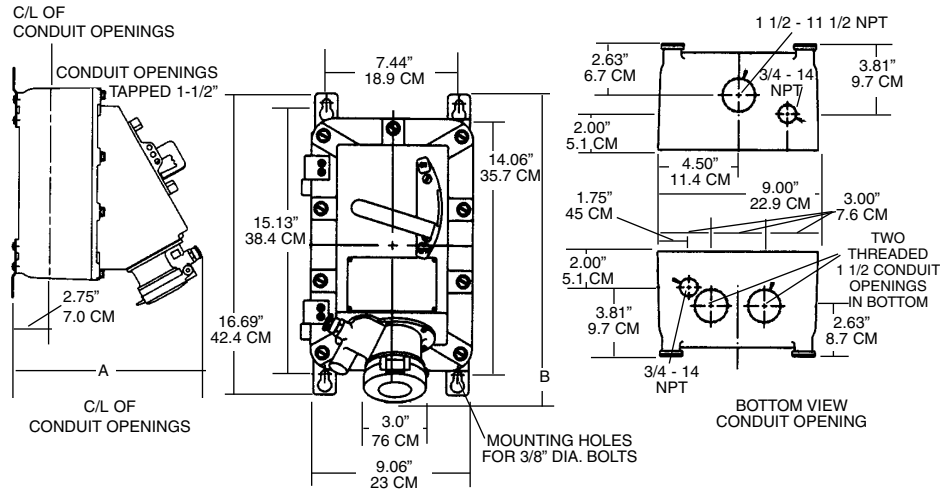


Plug is mechanically locked in receptacle when switch is ON. Design provides interlocked connect and disconnect operation.

Switch operating handle can be padlocked in either "ON" or "OFF" position.

Dimensions of DBR Receptacles



	30 Amp	60 Amp	100 Amp		30 Amp	60 Amp	100 Amp
A	14.81" (37.6cm)	14.81" (37.6cm)	15.25" (38.72cm)	B	15.5" (39.4cm)	17.06" (43.3cm)	17.75" (45.1cm)

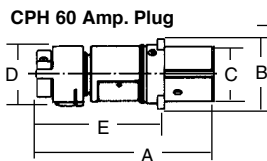
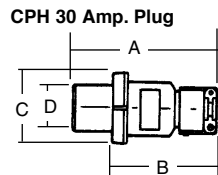
Dimensions Of Plugs in Inches

ACP Plugs for DBR Receptacles

	No. Poles	A	B	C	D
30 Amp	2, 3, 4	6.00	4.75	3.13	1.86
60 Amp	2, 3	7.81	4.94	3.50	2.23
60 Amp	4	7.81	4.94	3.81	2.55
100 Amp	2, 3	10.50	6.63	4.00	2.47
100 Amp	4	10.50	6.63	4.25	2.72

CPH Plugs for DBR Receptacles

Max. Amps.	Wire/Pole	A	B	C	D	E
30	2W, 3P; 3W, 4P	6.13	2.38	1.86	1.81	4.44
60	2W, 3P	8.44	3.06	2.23	3.31	5.69
60	3W, 4P	8.44	3.06	2.55	3.31	5.69

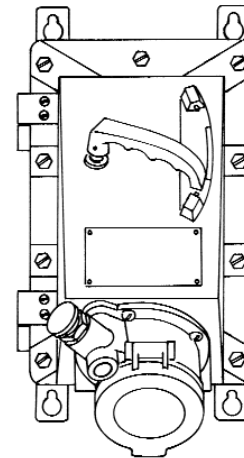


DBR Receptacles with Disconnect Switch: 30, 60, and 100 Amp.; Dust-Ignition-Proof.

Weatherproof Spring Cover, 600V A.C. Max.
Grounding thru Extra Pole and Shell

Class II, Div. 1 and 2
Groups F*, G
Class III
NEMA 3, 3R, 4X, 9F*G

CAUTION: To prevent Ignition of hazardous atmospheres do not use in Class II Group F locations that contain electrically conductive dusts. Most coal dusts are not electrically conductive.



DBR

1-1/2" threaded conduit openings- one in top and two in bottom

DBR Enclosure has O-Ring Gasket for Dust-Tight, Rain-Tight Fit.

I. TO DISASSEMBLE RECEPTACLE INTERIOR

1. Remove polarizing screw and washer.
2. Rotate terminal holder counter-clockwise.

II. TO CONNECT CONDUCTORS TO RECEPTACLE INTERIOR

1. Strip insulation from ends of individual conductors.
2. Loosen screws in pressure connectors and slide prepared ends of conductors into the connectors, observing proper polarity. Tighten screws.

III. TO REASSEMBLE RECEPTACLE INTERIOR

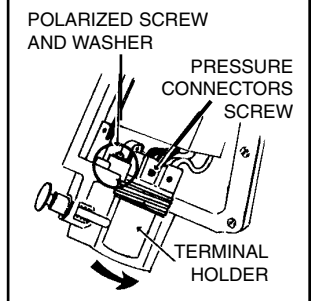
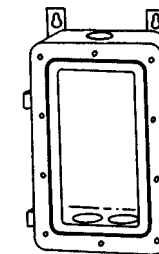
1. Insert Terminal Holder and turn clockwise until front end is approximately 1/4" inside of casting surface. Recessed radial depression in Terminal Holder must be lined up with polarizing washer/locator. Replace screw through the ground strip.

IV. POLARITY AND PHASE ROTATION

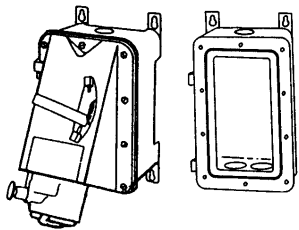
1. ACP CPH Plugs and EBRH Receptacle are polarized so that the plug will enter the receptacle only one way.
2. Special Polarization: suffix - P4 added to catalog number of the receptacle. Prevents plug insertion in a receptacle wired for a different voltage.

V. Wiring

1. Conductors from Receptacles are connected to the Disconnect Switch as shown.



Solderless lugs are provided for line connections and receptacle is prewired to the load side of disconnect switch. Cover-mounted components leave entire enclosure space free for pulling of line conductors and wiring.



**DBR Receptacles with Disconnect Switch:
30, 60, and 100 Amp.; Dust-Ignition-Proof.**

Weatherproof Spring Cover, 600V A.C. Max.
Grounding thru Extra Pole and Shell

**Class II, Div. 1 and 2,
Groups F*, G
Class II
NEMA 3, 3R, 4X, 9F*G**

DBR Enclosure has O-Ring Gasket
for Dust-Tight, Rain-Tight Fit.

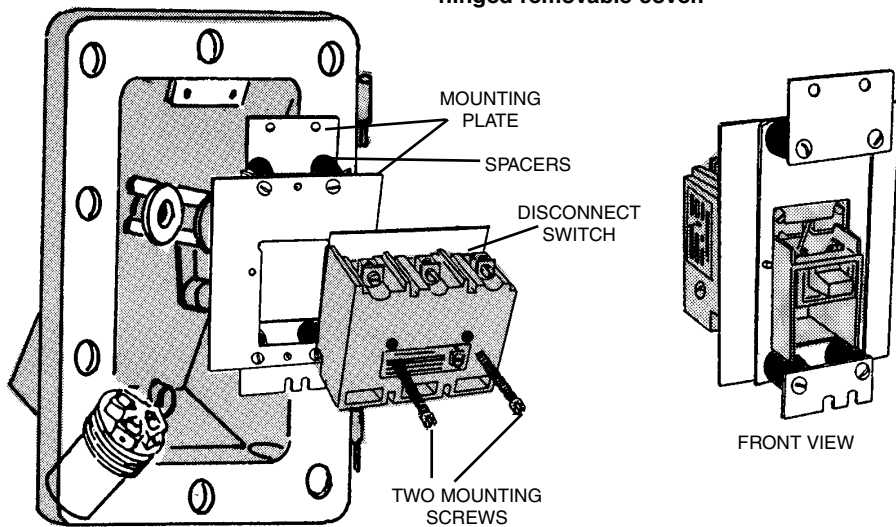


Field Wiring Instructions To Connect Field Wiring conductors

1. Remove pressure wire connector buss bar of switch by loosening and removing retaining screw.
2. Attach pressure wire connector to end of line conductor. Wire must be flash with end of connector.
3. Reposition terminal under buss bar.
4. Reinsert and tighten retaining screw.

Disconnect Switch Mounting

Disconnect switch is mounted within
hinged removable cover.

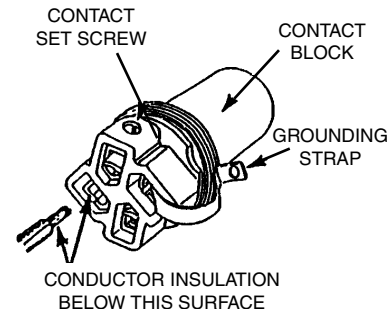
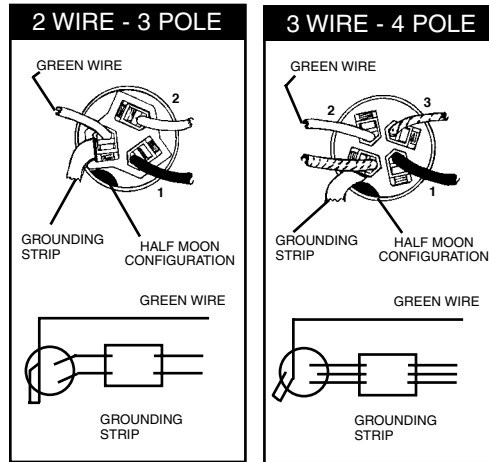


Disconnect switch is to be mounted (with the front of the disconnect switch facing the inside of the cover) by means of two screws through the back of the disconnect switch, through the spacers and into the mounting plate which are then fastened onto the inside of the cover.

* Do not use where electronically conductive dusts are present (most coal dusts are *not* electrically conductive). Per NEC 502-1, there are only Div. 1 locations where electrical conductive dusts are present.

V. WIRING

1. Conductors from Receptacles are connected to the Disconnect Switch as shown.



DBR Plugs Receptacles

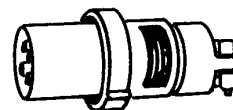
ACP Plugs for EBR, EBRH and DBR Receptacles

ACP PLUG	Cable Dia., Inches	30 Amp		60 Amp		100 Amp	
		2W, 3P	3W, 4P	2W, 3P	3W, 4P	2W, 3P	3W, 4P
	.390 to 1.375	ACP3023BC	ACP3034BC	ACP6023BC	ACP6034BC	-----	-----
	.875 to 1.906	-----	-----	-----	-----	ACP1023CD	ACP1034CD

CPH Plugs for EBR, EBRH and DBR Receptacles

CPH PLUG	Cable Dia., Inches	30 Amp		60 Amp	
		2W, 3P	3W, 4P	2W, 3P	3W, 4P
	.500 to .875	CPH3023B	CPH3034B	-----	-----
	.390 to 1.375	-----	-----	CPH6023BC	CPH6034BC

ACP Plug Equivalents



Cable Diameter, Inches	Wire/ Pole	Catalog Number	
		Crouse-Hinds	Appleton
30 Amp Plugs			
.390 to 1.375	2W, 3P	APJ3385	ACP3023BC
.390 to 1.375	3W, 4P	APJ3485	ACP3034BC
60 Amp Plug.			
.390 to 1.375	2W, 3P	APJ6385	ACP6023BC
.390 to 1.375	3W, 4P	APJ6485	ACP6034BC
100 Amp Plug			
.875 to 1.906	2W, 3P	APJ10387	ACP1023CD
.875 to 1.906	3W, 4P	APJ10487	ACP1034CD

Note:
Receptacles with the P4 suffix have the interior rotated 22 1/2° for special polarization applications. They are compatible only with the Appleton plugs with the P4 option, or Crouse-Hinds plugs with the S4 option.